

21VA R-core transformer

P/N: SY0906-2447A4

Power: 21VA

Rated input: 220V/50Hz

Rated output: (no-load) 35.02V, 17.36V
(load) 14V/0.5A, 28V/0.5A

No-load current: 220V/0.90mA
265V/1.10mA

Insulation resistance: $\geq 500M\Omega$

Insulation strength: Primary-Secondary: 4000V/2mA/5S
Secondary-Secondary: 3300V/2mA/5S
Insulation strength: Primary-Core: 4000V/2mA/5S
Secondary-Core: 1700V/2mA/5S

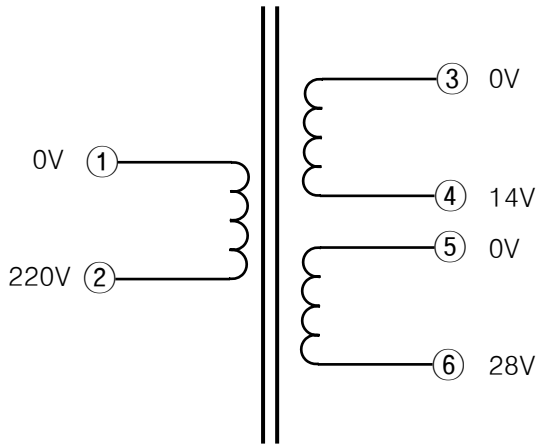
Insulation ranking Class F

DC resistance of primary: Ω

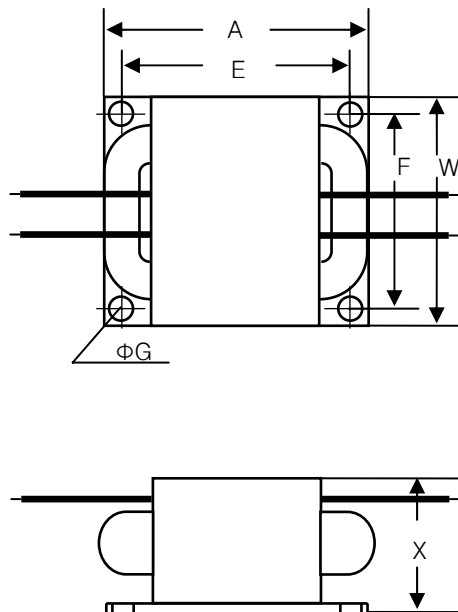
Temperature rise: $\leq 65^\circ C$

Lead wire: Primary: 600mm, VH3.96/3P
Secondary: 600mm, VH3.96/3P

Schematic



Dimension (mm)	A	79
	W	74
	X	44
Mounting (mm)	E	70
	F	55
	G	4
Weight (Kg)	0.64	



VH3.96/3P

