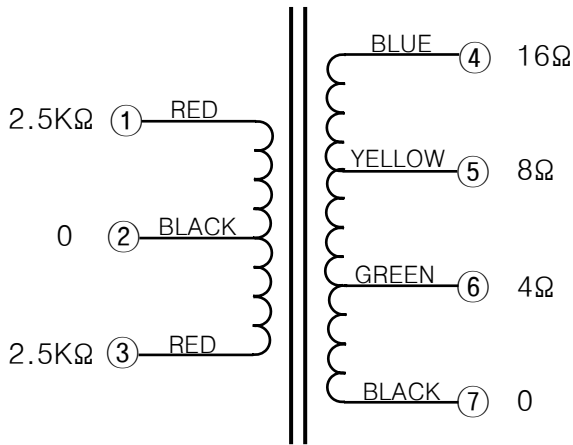


10VA audio output transformer

Schematic



P/N: 2590A3

Power 10VA, Push Pull

Primary: 2.5KΩ-0-2.5KΩ

Secondary: 0-4Ω-8Ω-16Ω

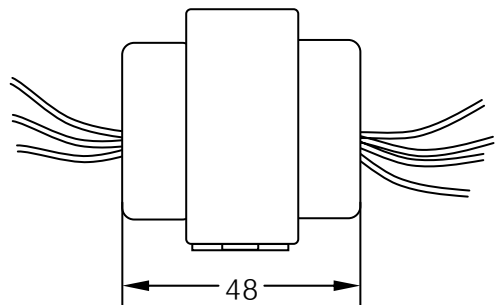
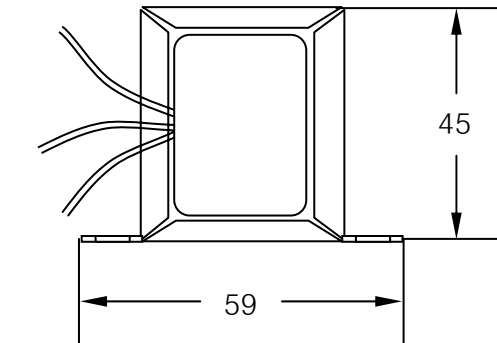
Frequency response 150Hz-15KHz

Terminal Wire 150mm

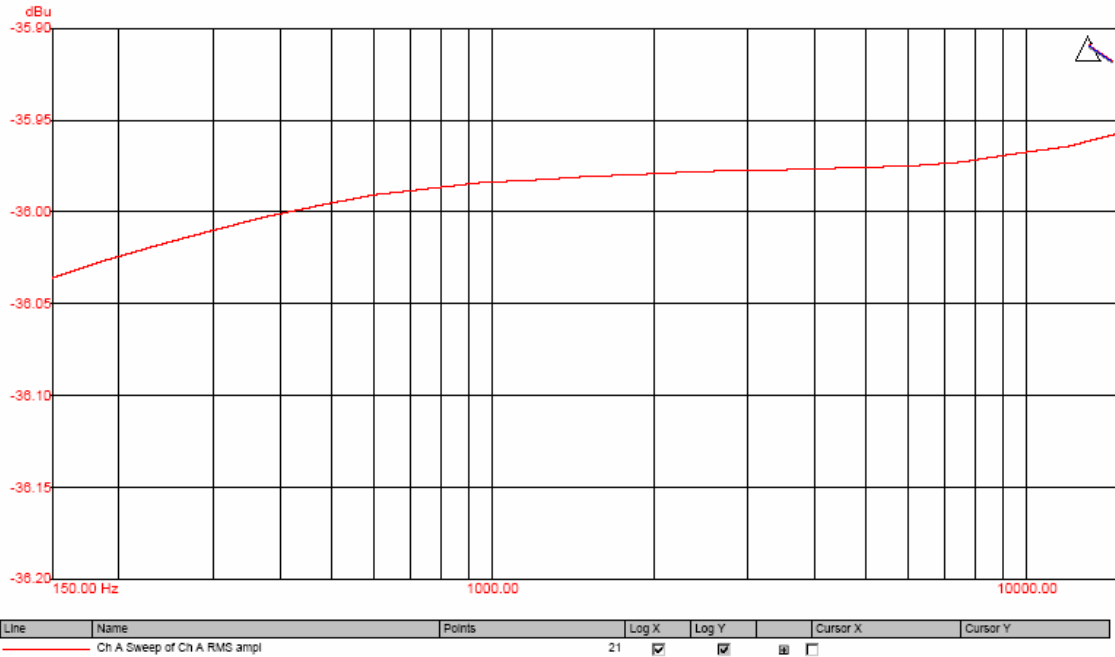
Label

| | |
|---|---------|
| P/N: SY0910-2590A3 | 2009/12 |
| PRI: 2.5KΩ-0-2.5KΩ | |
| RED-BLK.-RED | |
| SEC: 0-4Ω-8Ω-16Ω | |
| BLK.-GRN.-YEL.-BLU. | |
| Powered by www.dibao.com | |

| | | |
|-------------------|------|----|
| Dimension (mm) | L ≈ | 59 |
| | W ≈ | 48 |
| | H ≈ | 45 |
| Weight (g) | ≈230 | |



SY0910-2590A3 Frequency response



SY0910-2590A3 THD+N vs Frequency

