

200VA C-core power transformer

P/N: 1452A1

Power: 200VA

Rated input: 230V/50Hz

Rated output: (no load)13V, 13V  
(load)12V/7.7A, 12V/7.7A

Insulation resistance:  $\geq 500M\Omega$

Primary-Secondary: 4000V/2mA/5S

Insulation strength: Primary -Core: 4000V/2mA/5S

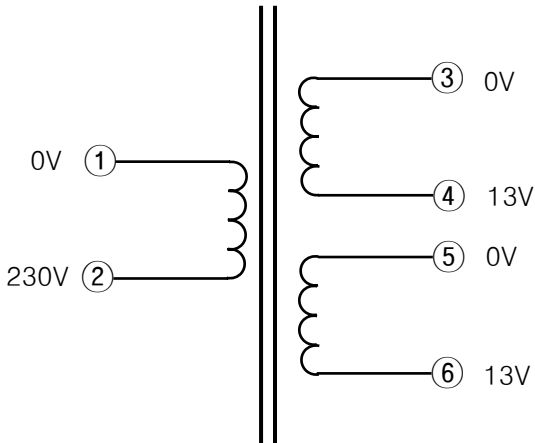
Secondary-Core: 1500 V/2mA/5S

Insulation ranking: Class B

Temperature rise:  $\leq 65^{\circ}C$

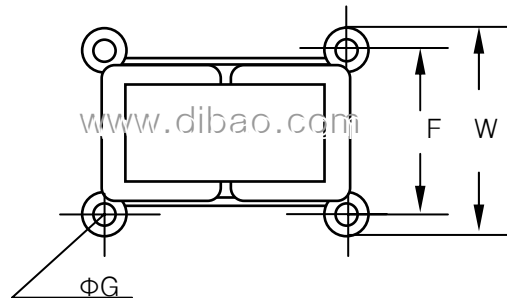
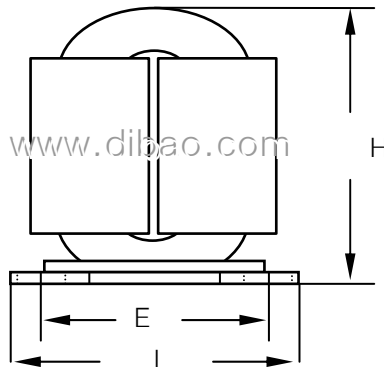
Lead wire: ①②: 200mm  
③④⑤⑥: 200mm

## Schematic



C-core power transformer

Dimension (mm)	L	106
	W	65
	H	117
Mounting (mm)	E	90
	F	87
	G	4.5
Weight (Kg)	$\approx 2.5$	



C-core power transformer