

## 65VA R-core power transformer

P/N: 2290A1

Power: 65VA

Rated input: 110V, 110V/50Hz

(no load)8V, 0-140V-150V-160V

Rated output: (load)7.2V/0.3A

0-125.9V-138.8V-143.8V/0.39A

Insulation resistance:  $\geq 500M\Omega$

Primary-Secondary: 3750V/2mA/2S

Insulation strength: Primary-Core: 3750V/2mA/5S

Secondary-Core: 1500V/2mA/5S

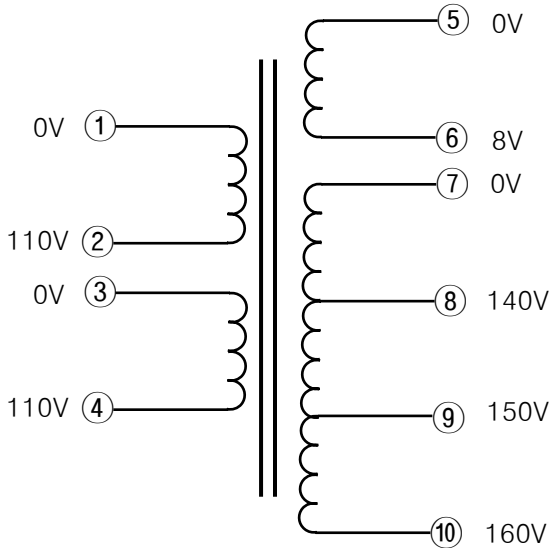
Insulation ranking: Class B

Temperature rise:  $\leq 65^{\circ}C$

Lead wire: ①②③④: 200mm

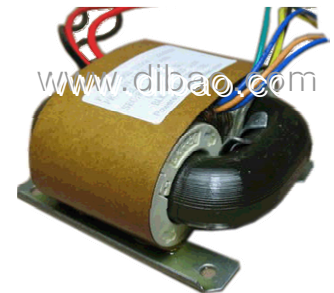
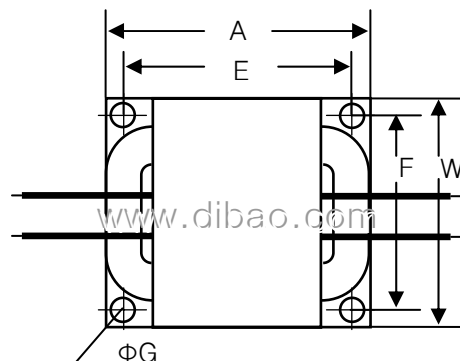
⑤⑥⑦⑧⑨⑩: 200mm

### Schematic



Dimension (mm)	A	98
	W	85
	X	46
Mounting (mm)	E	75
	F	65
	G	5
Weight (Kg)	$\approx 1$	

R-core power transformer



R-core power transformer