

## 130VA R-core power transformer

P/N: 2289A1

Power: 130VA

Rated input: 110V, 110V/50Hz

(no load)8V, 0-140V-150V-160V

Rated output: (load)7.24V/0.3A

0-127V-135.8V-144.7V/0.8A

Insulation resistance:  $\geq 500M\Omega$

Primary-Secondary: 3750V/2mA/2S

Insulation strength: Primary-Core: 3750V/2mA/5S

Secondary-Core: 1500V/2mA/5S

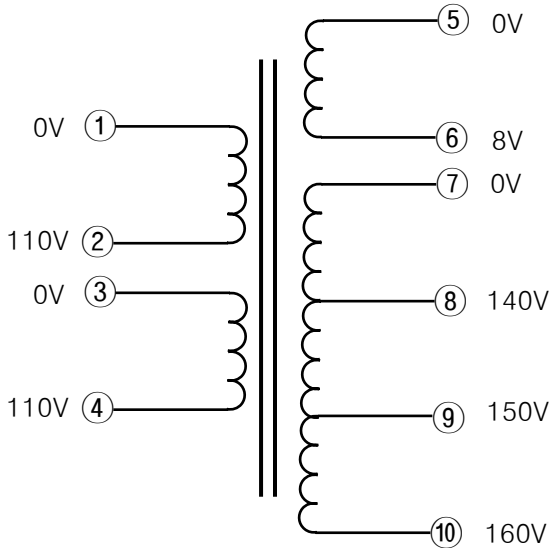
Insulation ranking: Class B

Temperature rise:  $\leq 65^{\circ}C$

Lead wire: ①②③④: 200mm

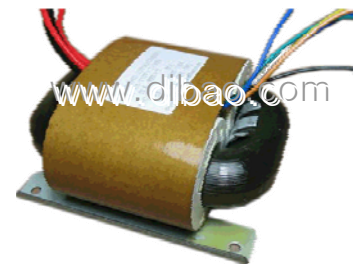
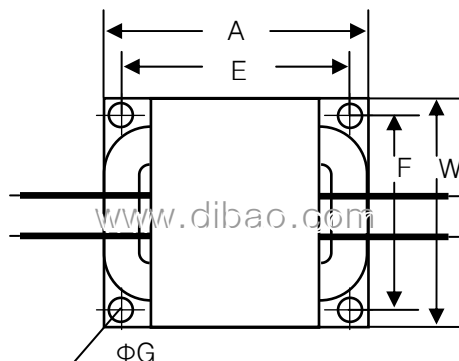
⑤⑥⑦⑧⑨⑩: 200mm

### Schematic



Dimension (mm)	A	121
	W	100
	X	55
Mounting (mm)	E	100
	F	80
	G	5
Weight (Kg)	$\approx 1.7$	

R-core power transformer



R-core power transformer