

120VA R-core power transformer

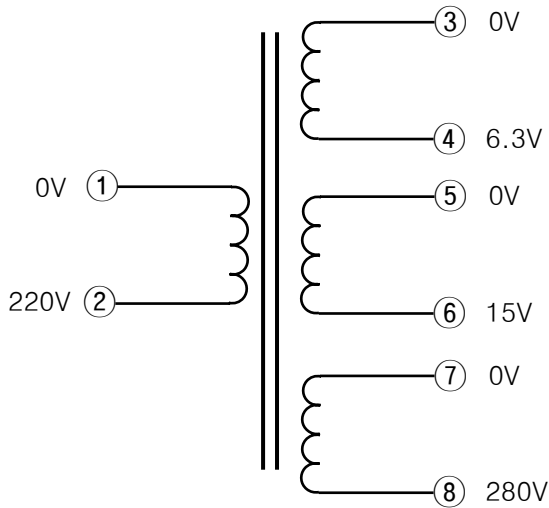
P/N: 2191A1

Power: 120VA

Rated input: 220V/50Hz

Rated output: (no load) 6.3V, 15V, 280V

Schematic



Insulation resistance: $\geq 500M\Omega$

Primary-Secondary: 3750V/2mA/2S

Insulation strength: Primary-Core: 3750V/2mA/5S

Secondary-Core: 3750V/2mA/5S

Insulation ranking: Class B

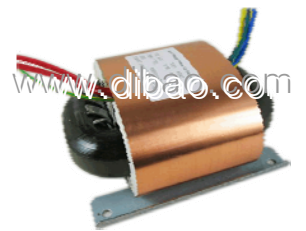
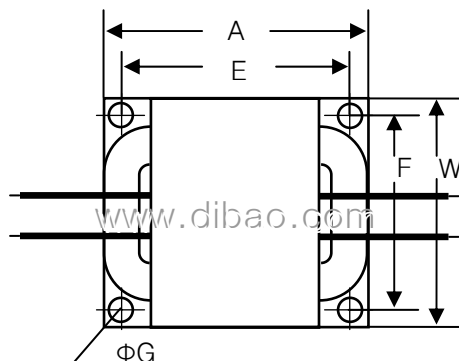
Temperature rise: $\leq 65^{\circ}C$

Lead wire: ①②: 200mm

③④⑤⑥⑦⑧: 200mm

Dimension (mm)	A	120
	W	100
	X	56
Mounting (mm)	E	100
	F	80
	G	5
Weight (Kg)	≈ 1.74	

R-core power transformer



R-core power transformer