

100VA R-core power transformer

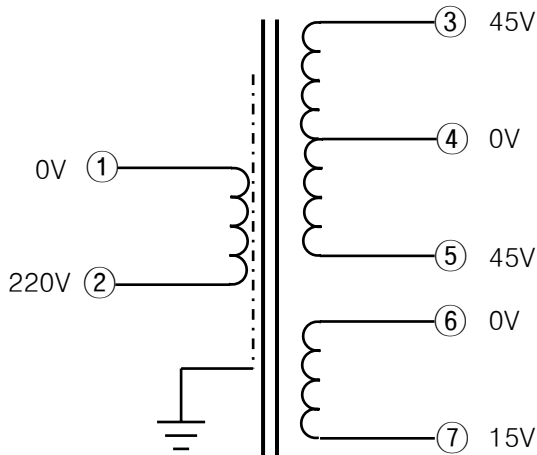
P/N: 2190A1

Power: 100VA

Rated input: 220V/50Hz

Rated output: (no load)45V-0-45V, 15V

Schematic



Insulation resistance: $\geq 500M\Omega$

3750V/2mA/2S

Insulation strength: 3750V/2mA/5S

1500V/2mA/5S

Insulation ranking: Class B

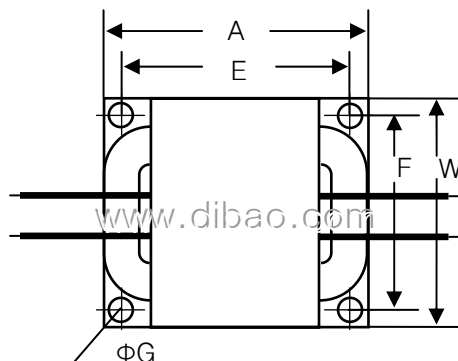
Temperature rise: $\leq 65^{\circ}C$

Lead wire: ①②: 200mm

③④⑤⑥⑦: 200mm

Dimension (mm)	A	120
	W	91
	X	50
Mounting (mm)	E	70
	F	90
	G	5
Weight (Kg)	≈ 1.47	

R-core power transformer



R-core power transformer