

36VA R-core power transformer

P/N: 871A1

Power: 36VA

Rated input: 220V/50Hz

Rated output: (no load)18V-0-18V, 9.5V
(load)17V-0V-17V/0.8A, 9V/0.8A

Insulation resistance: $\geq 200M\Omega$

Primary-Secondary: 3700V/2mA/1min

Insulation strength: Primary-Core: 3700V/2mA/1min

Secondary-Core: 1700V/2mA/1min

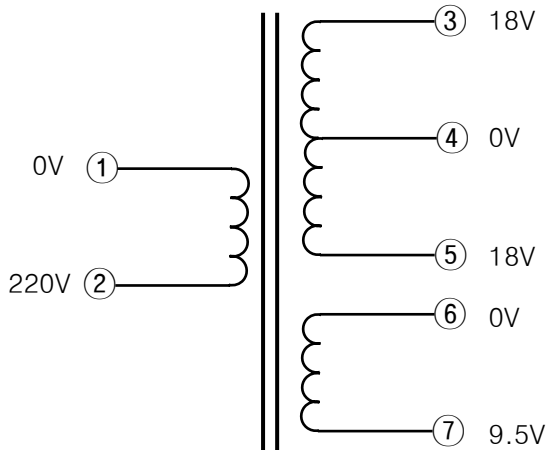
Insulation ranking: Class B

Temperature rise: $\leq 65^{\circ}C$

Lead wire: ①② : 180mm, 3.96/2P

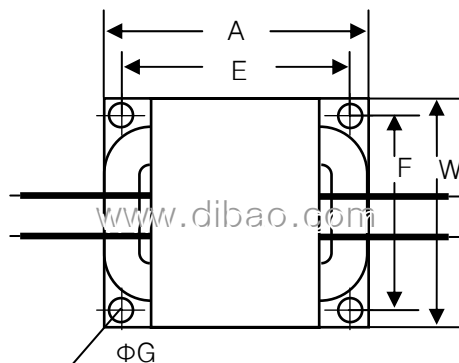
③④⑤⑥⑦ : 150mm, C2 pin

Schematic



Dimension (mm)	A	94
	W	76
	X	42
Mounting (mm)	E	70
	F	60
	G	5
Weight (Kg)	≈ 1.5	

R-core power transformer



R-core power transformer

VH3.96/2P

