

300VA toroidal power transformer

P/N: 2199A1

Power: 300VA

Rated input: 220V/50Hz

Rated output: (no load)6V

Insulation resistance: $\geq 500M\Omega$

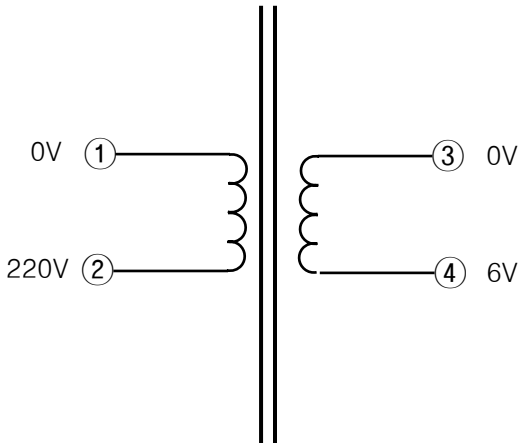
Insulation strength: Primary-Secondary: 4000V/2mA/2 S

Insulation ranking: Class B

Temperature rise: $\leq 65^{\circ}C$

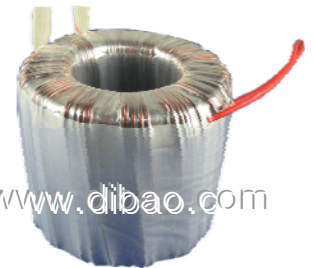
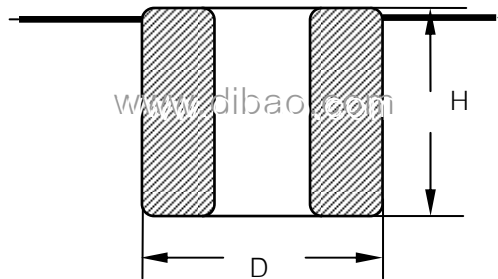
Lead wire: ①②: 200mm
③④: 100mm

Schematic



Dimension (mm)	D	116
	H	99
Mounting (mm)	Center screw	M8
Weight (Kg)		≈ 3.5

Toroidal power transformer



www.dibao.com

Toroidal power transformer

