

87VA potted power transformer

P/N: 1937A1

Power: 87VA

Rated input: 0-110-120V, 0-110V-120V/50Hz

Rated output: (no load)(0-39.3V-45.6V) × 2, 7V × 2
(load)(0-36V-42V)/0.8A × 2, 6.3V/1A × 2

Insulation resistance: ≥ 500MΩ

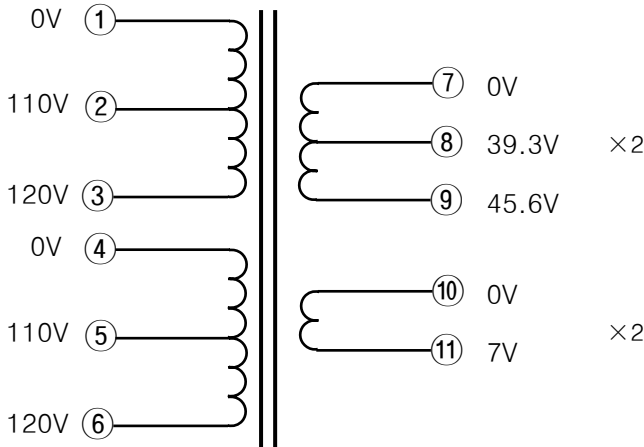
Insulation strength: Primary-Secondary: 4000V/2mA/2 S
Secondary-pot: 2500V/2mA/2S

Insulation ranking: Class B

Temperature rise: ≤ 65 °C

Lead wire: ①②③④⑤⑥: 400mm
⑦⑧⑨⑩⑪: 400mm

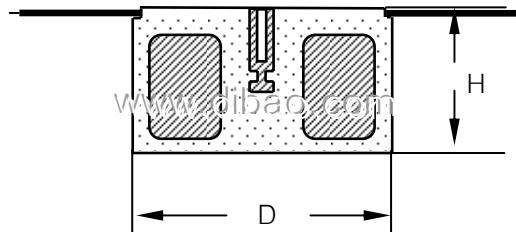
Schematic



Potted power transformer



Dimension (mm)	D	107
	H	60
Mounting (mm)	Center screw	
	M5	
Weight (Kg)		≈ 2.3



Potted power transformer
Transformer enclosed in
2mm thickness steel pot

