

4VA toroidal power transformer

P/N: 243A1

Power: 4VA

Rated input: 220V/50Hz

Rated output: (no load) 9V, 9V
(load) 7V/0.3A, 7V/0.3A

Insulation resistance: $\geq 500M\Omega$

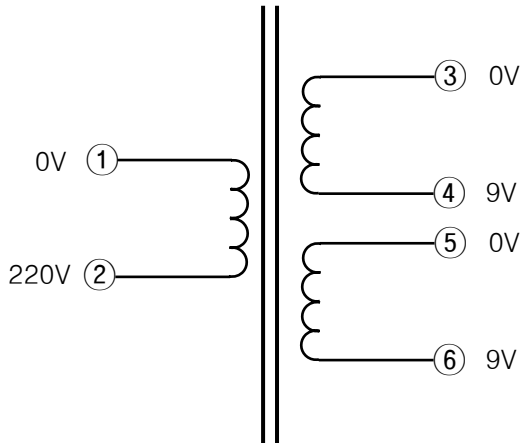
Insulation strength: Primary-Secondary: 4000V/2mA/2S

Insulation ranking: Class B

Temperature rise: $\leq 65^{\circ}C$

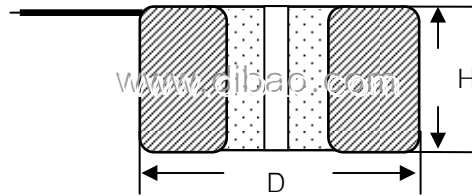
Lead wire: ①②: 250mm
③④⑤⑥: 250mm

Schematic



Toroidal power transformer

Dimension (mm)	H	19
	D	60
Mounting (mm)	Center Φ	
		4.5
Weight (Kg)	≈ 0.355	



Toroidal power transformer

