

50VA EI power transformer

P/N: 1906A1

Power: 50VA

Rated input: 220V/50Hz

Rated output: (no load)12V, 4.5V, 22V-0-22V

Insulation resistance: $\geq 500M\Omega$

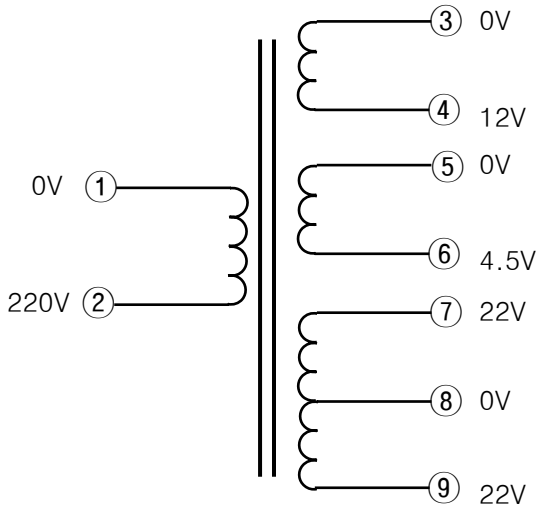
Insulation strength: Primary-Secondary: 4000V/2mA/2S

Insulation ranking: Class B

Temperature rise: $\leq 65^{\circ}C$

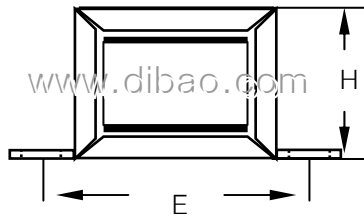
Lead wire: ① ②: 200mm
③④⑤⑥⑦⑧⑨: 200mm

Schematic



EI power transformer

Dimension (mm)	H	57
	W	69
	L	94
Mounting (mm)	E	80
	G	5
Weight (Kg)	≈	



EI power transformer

