

21VA EI power transformer

P/N: 1903A2

Power: 21VA

Rated input: 110V/50Hz

Rated output: (no load)6.8V, 9V

Insulation resistance: $\geq 500M\Omega$

Primary-Secondary: 4000V/2mA/5S

Insulation strength: Primary-Core: 4000V/2mA/5S

Secondary-Core: 1700V/2mA/5S

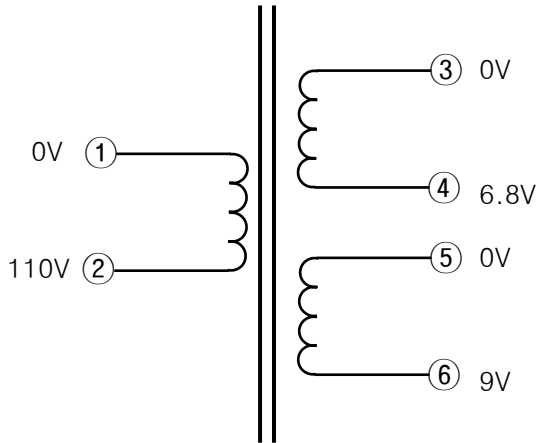
Insulation ranking: Class B

Temperature rise: $\leq 65^{\circ}C$

Lead wire: ① ②: 280mm

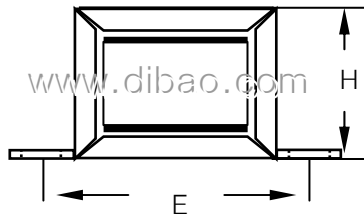
③④⑤⑥: 300mm

Schematic



EI power transformer

Dimension (mm)	H	51
	W	60
	L	90
Mounting (mm)	E	73
	G	4
Weight (Kg)		≈ 0.68



EI power transformer

