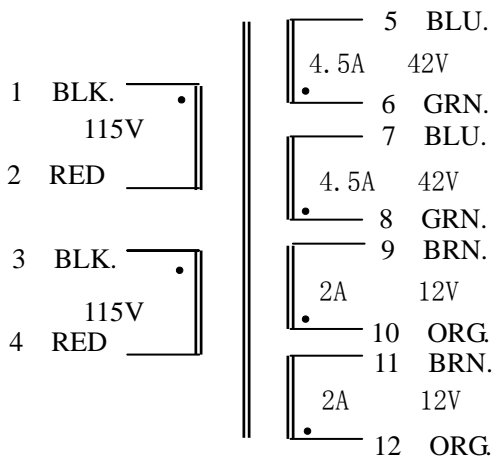
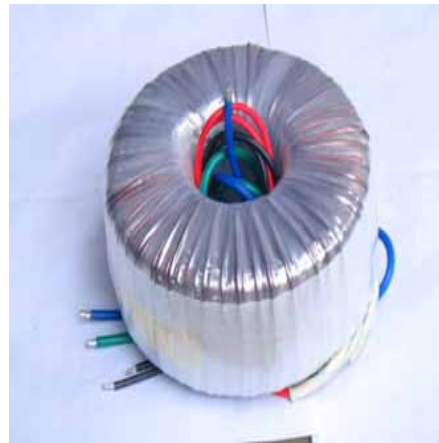


426VA Toroidal Power Transformer(Dual Input :2*115V, Output:42V×2; 12V×2)

1、Theory Picture:

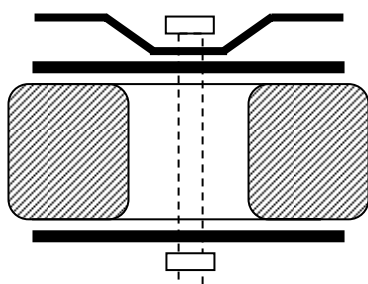


2、The Transformer Practicality Picture:



Product	Capacity (VA)	Dimension		Weight (kg)	Install Bore (mm)	Screw (mm)
		D(mm)	H(mm)			
Toroidal Transformer	426	134	65	3.8	φ 8.5	M8
Primary Rated Input			115V/50HZ×2			
Electric Resistance of Primary Directory Current			3.7 Ω			
Max No-loading Current			57			
Insulation Capability			Primary-Secondary: 500VDC≥100M Ω			
Dielectric Strength Test			Primary-Secondary: 4000V 5mA 60s			
Temperature Rise			≤65℃			
Secondary Rated Output						
	No-loading Voltage(V±5%)		Loading Voltage (V±5%)		Rated Loading Current (A)	
Output	42V×2	12V×2	40V×2	11.7V×2	4.5 /2	
Derivation Line Specification						
	Color		Specification		Length (mm)	Terminals
Input	BLK.-RED	BLK.-RED	UL-1672 18#		310	5mmTin Imbrued
Output	BLU.-GRN. BRN.-ORG.	BLU.-GRN. BRN.-ORG.	UL-1015 16# 20#		310	5mmTin Imbrued

Toroidal Power Transformer Install Sketch Map:



Toroidal Power Transformer Dimension Picture:

