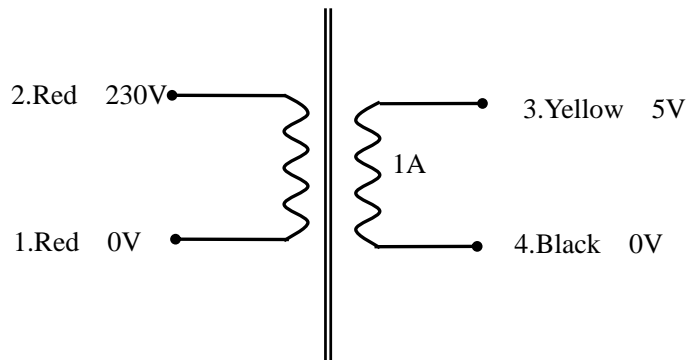


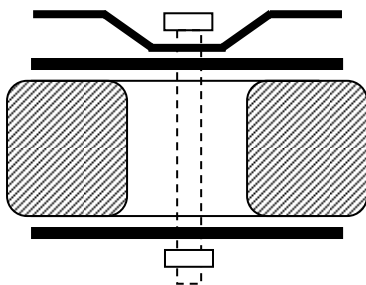
5VA Toroidal Power Transformer

1、 Principle Diagram

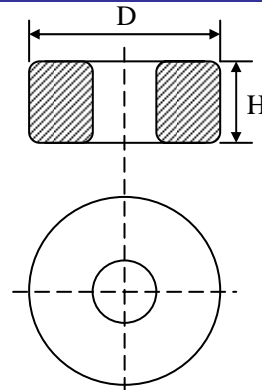


Name	Capacity (VA)	Diametre		Weight (kg)	Install bore (mm)	Screw (mm)
		D(mm)	H(mm)			
Toroidal Transformer	5	44	28	0.134	4.5	M5
Primary Rated Input				230V 50Hz		
Electric Resistance of Primary Director Current				709		
Max No-loading current				5 mA		
Secondary Rated Output						
	No-loading Voltage (V ± 5%)	Loading Voltage (V ± 5%)		Rated Loading Current (A)		
S1 : 3 - 4	5	4		1		
Derivation Line Specification						
	Color	Specification	Length (mm)	Terminals		
Primary Derivation : 1 - 2	Red-Red	UL-1007 22#	200	5mm Tin		
Secondary Derivation : 3 - 4	Yellow-Black	UL-1007 22#	200	5mm Tin m		

Toroidal Power Transformer Install Skecth Map



Toroidal Power Transformer Install Sketch Map



This is our **8VA Toroidal Power Transformer**,if you have some question about it ,you can contact with us at any time.Meanwhile we can design and product according to your requirement.