



Welcome to.....



Product Directory

Power Transformer

Audio Transformer

Three Phase Transformer

Auto Transformer

Control Transformer

Power Adapter

Special Transformer

More Information About **Toroidal Power Transformer**

Detailed Product Description



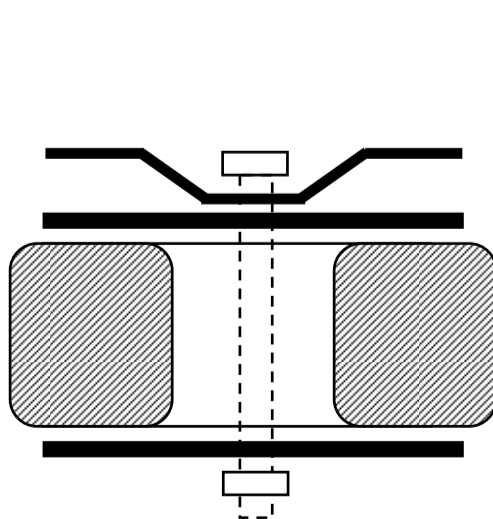
Toroidal Power Transformer Features:

- *Coiled by silicon steel belt;
- *With round section area;
- * Without incision;
- *Free formal size;
- *Small cubage, high capacity.

Size Of Form And Installtion:

Model	Capacity(VA)	Size Of Product		Weight(kg)	Fix-OS(mm)	Srew(mm)
		H(mm)	D(mm)			
PB-15	15	25	65	0.38	Φ6.5	M6
PB-30	30	30	78	0.6	Φ6.5	M6
PB-50	50	35	82	0.85	Φ6.5	M6
PB-80	80	38	88	1.1	Φ6.5	M6
PB-100	100	45	93	1.5	Φ8.5	M8
PB-150	150	47	103	1.9	Φ8.5	M8
PB-200	200	53	115	1.4	Φ8.5	M8
PB-250	250	60	120	2.8	Φ8.5	M8
PB-300	300	60	125	3.4	Φ8.5	M8
PB-350	350	62	130	3.7	Φ8.5	M8
PB-400	400	65	135	3.95	Φ8.5	M8
PB-450	450	65	138	4.2	Φ8.5	M8
PB-500	500	68	140	4.9	Φ8.5	M8
PB-600	600	70	152	5.8	Φ8.5	M8
PB-700	700	70	160	6.5	Φ8.5	M8
PB-800	800	72	165	7.2	Φ8.5	M8
PB-1000	1000	74	183	8.3	Φ8.5	M8
PB-1200	1200	75	192	9.8	Φ8.5	M8
PB-1500	1500	78	200	11.5	Φ8.5	M8
PB-1800	1800	80	220	14.1	Φ8.5	M8
PB-2000	2000	88	225	15.2	Φ8.5	M8

The Picture Of Installation



The Picture Of Form

