

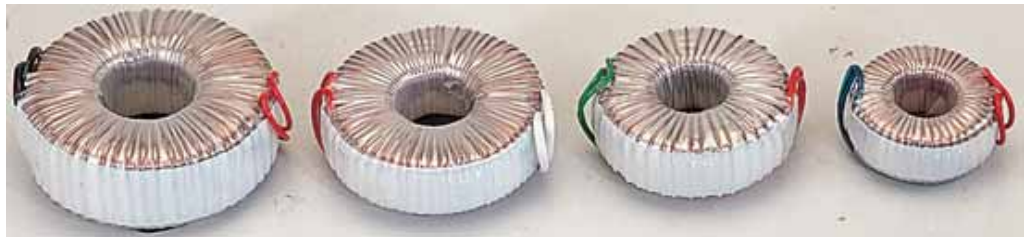


Welcome to.....



More Information About **Toroidal Lighting Transformer**

Detailed Product Description



Toroidal Lighting Transformer Specifications:

*Toroidal power transformer designed for haloid lighting;

*Small cubage, low temperature raise.

Product Directory

Power Transformer

Audio Transformer

Three Phase Transformer

Auto Transformer

Control Transformer

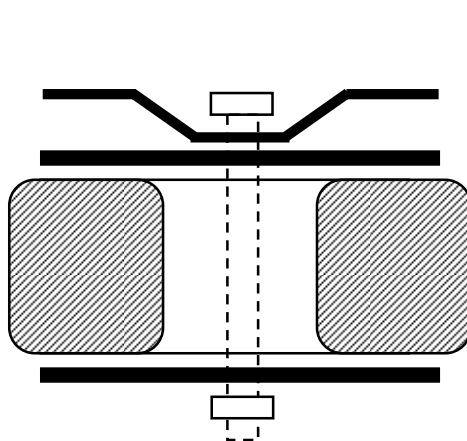
Power Adapter

Special Transformer

Sizes Of Form And Installations:

Model	Capacity (VA)	Input (V)	Frequency (HZ)	Output (V)	Temperature raise ()	Formal Size		Weight kg	Fix-OS (mm)	screw (mm)
						H (mm)	D (mm)			
LB-30	30	220V	50	12	65	32	74	0.6	6.5	M6
LB-50	50	220V	50	12	65	33	83	0.75	6.5	M6
LB-80	80	220V	50	12	65	37	100	1.1	6.5	M6
LB-105	105	220V	50	12	65	37	111	1.4	8.5	M8
LB-120	120	220V	50	12	65	44	106	1.6	8.5	M8
LB-150	150	220V	50	12	65	43	116	1.85	8.5	M8
LB-190	190	220V	50	12	65	48	121	2.3	8.5	M8
LB-240	240	220V	50	12	65	50	125	2.6	8.5	M8
LB-300	300	220V	50	12	65	54	128	3	8.5	M8
LB-500	500	220V	50	12	65	60	135	5.3	8.5	M8

The Picture Of Installation



The Picture Of Formal Size

