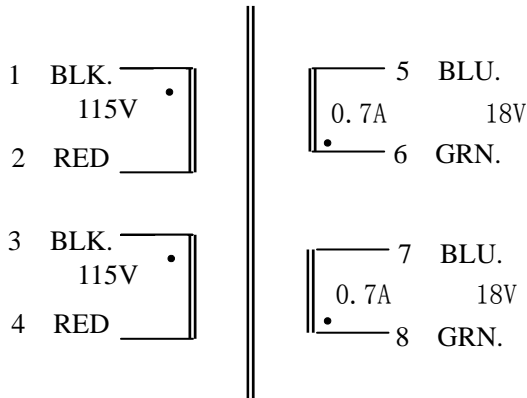


25VA Toroidal Power Transformer(Dual Input :2*115V, Output:18V×2)

1、 Theory Picture:

2、 The Transformer Practicality Picture:



Product	Capacity (VA)	Dimension		Weight (kg)	Install Bore (mm)	Screw (mm)
		D(mm)	H(mm)			
Toroidal Transformer	25	78	33	0.545	φ 6.5	M6
Primary Rated Input			115V/50HZ×2			
Electric Resistance of Primary Directory Current			184 Ω			
Max No-loading Current			6 mA			
Insulation Capability			Primary-Secondary: 500VDC ≥ 100M Ω			
Dielectric Strength Test			Primary-Secondary: 4000V 5mA 60s			
Temperature Rise			≤ 65°C			
Secondary Rated Output						
	No-loading Voltage (V±5%)	Loading Voltage (V±5%)	Rated Loading Current(A)			
S1: 5~6、7~8	18V×2	15.7 V×2	0.7			
Derivation Line Specification						
	Color	Specification	Length (mm)	Terminals		
Line: 1~2 3~4	BLK.-RED BLK.-RED	UL-1672 22#	310	5mmTin		
Line: 5~6 7~8	BLU.-GRN. BLU.-GRN.	UL-1015 22#	310	5mmTin		

Toroidal Power Transformer Install Sketch Map:

Toroidal Power Transformer Dimension Picture:

