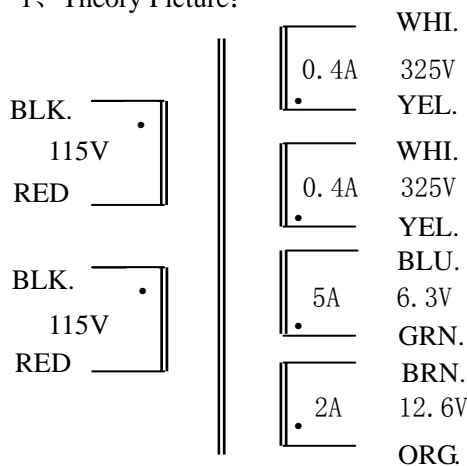


325VA Toroidal Power Transformer(Dual Input :2*115V, Output:325V*2; 6.3V; 12.6V)

1、Theory Picture:

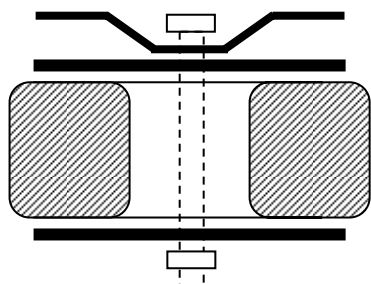


2、The Transformer Practicality Picture:



Product	Capacity (VA)	Dimension		Weight (kg)	Install Bore (mm)	Screw (mm)
		D(mm)	H(mm)			
Toroidal Transformer	325	128	68	3.12	φ 8.5	M8
Primary Rated Input		115V/50HZ×2				
Electric Resistance of Primary Directory Current		5.5 Ω				
Max No-loading Current		34 mA				
Insulation Capability		Primary-Secondary: 500VDC≥100M Ω				
Dielectric Strength Test		Primary-Secondary: 4000V 5mA 60s				
Temperature Rise		≤65℃				
Secondary Rated Output						
	No-loading Voltage(V±5%)	Loading Voltage (V±5%)		Rated Loading Current (A)		
Output	325V×2 6.3V 12.6V	305V×2 6V 12V		0.4A 5A 2A		
Derivation Line Specification						
	Color		Specification	Length (mm)	Terminals	
Input	BLK.-RED	BLK.-RED	UL-1672 18#	310	5mmTin Imbrued	
Output	WHI.-YEL. BLU.-GRN.	WHI.-YEL. BRN.-ORN.	UL-1015 22#16#20#	310	5mmTin Imbrued	

Toroidal Power Transformer Install Sketch Map:



Toroidal Power Transformer Dimension Picture:

