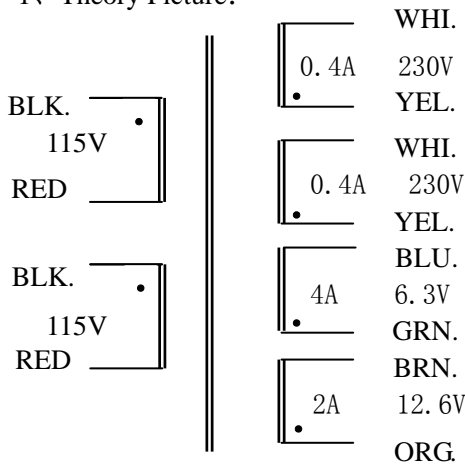


230VA Toroidal Power Transformer(Dual Input :2*115V, Output:230V*2; 6.3V; 12.6V)

1、Theory Picture:

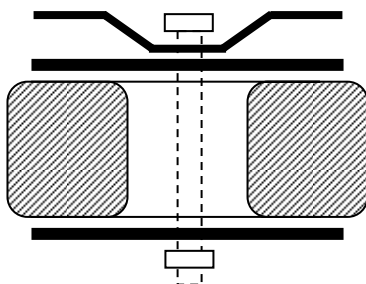


2、The Transformer Practicality Picture:



| Product | Capacity (VA) | Dimension | | Weight (kg) | Install Bore (mm) | Screw (mm) |
|--|--------------------------|------------------------|----------------------------------|----------------|---------------------------|----------------|
| | | D(mm) | H(mm) | | | |
| Toroidal Transformer | 230 | 128 | 57 | 2.6 | φ 8.5 | M8 |
| Primary Rated Input | | | 115V/50HZ×2 | | | |
| Electric Resistance of Primary Directory Current | | | 8 Ω | | | |
| Max No-loading Current | | | 19 mA | | | |
| Insulation Capability | | | Primary-Secondary: 500VDC≥100M Ω | | | |
| Dielectric Strength Test | | | Primary-Secondary: 4000V 5mA 60s | | | |
| Temperature Rise | | | ≤65℃ | | | |
| Secondary Rated Output | | | | | | |
| | No-loading Voltage(V±5%) | | Loading Voltage (V±5%) | | Rated Loading Current (A) | |
| Output | 230V×2 | 6.3V 12.6V | 213V×2 | 6V 11.8V | 0.4A | 4A 2A |
| Derivation Line Specification | | | | | | |
| | Color | | Specification | | Length (mm) | Terminals |
| Input | BLK.-RED | BLK.-RED | UL-1672 18# | | 310 | 5mmTin Imbrued |
| Output | WHI.-YEL. BLU.-GRN. | WHI.-YEL. BRN.-ORN. | UL-1015 22#18#20# | | 310 | 5mmTin Imbrued |

Toroidal Power Transformer Install Sketch Map:



Toroidal Power Transformer Dimension Picture:

